

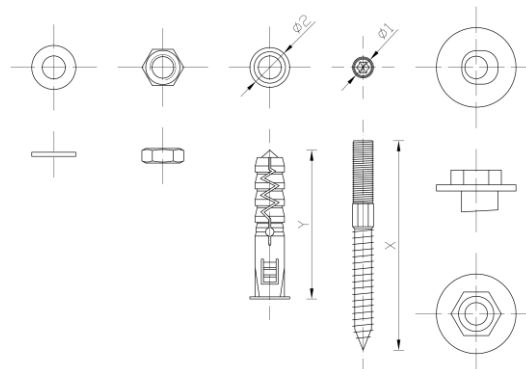
Komplet do mocowania umywalki / FIXS-MU

Wash basin fixing kit

Znajdź ten produkt na naszej stronie!
Find this product on our website!



DANE PRODUKTU / SPECIFICATIONS



WŁASNOŚCI PRODUKTU / PRODUCT FEATURES

MATERIAŁ:

Śruba dwugwintowa, podkładka i nakrętka – Stal ocynkowana
Kołek, tulejka kołnierzowa - Polipropylen

MATERIAL:

Double-threaded rod, hexagonal nuts, washers – Galvanized steel
Plug, flanged bushes – Polypropylene

Komplet do umywalki służy do mocowania umywarek ściennych.

Wash basin fixing kit is used for fastening wash basin to the wall

| Kod Code-index Артикул продукта Artikelnummer Codice | Ø 1 / x | Wymiary produktu Product dimensions Размеры Abmessungen Dimensioni Dell'articolo | | Opakowanie jednostkowe/ Individual packaging Единичная упаковка Einzelverpackung Confezione singola | | | Opakowanie zbiorcze Bulk packaging Общая упаковка Sammelverpackung Paleta-Bancale | | | | Paleta Pallet Поддон Palette Bancale | | |
|--|-----------|--|-----|---|------|-----|---|----|-------|------|--|-----|----|
| | | Ø 2 / y | | | | | | | | | | | |
| B-690906 | M8 x 100 | 12 x 60 | 81 | 20 | 1,62 | 160 | 8 | A1 | 12,96 | 7200 | 45 | 584 | P3 |
| B-690913 | M8 x 120 | 12 x 60 | 92 | 20 | 1,84 | 140 | 7 | A1 | 12,88 | 6300 | 45 | 580 | P3 |
| B-690920 | M8 x 140 | 12 x 60 | 104 | 20 | 2,08 | 140 | 7 | A1 | 14,56 | 6300 | 45 | 656 | P3 |
| B-690937 | M10 x 100 | 14 x 75 | 121 | 20 | 2,42 | 140 | 7 | A1 | 16,95 | 6300 | 45 | 763 | P3 |
| B-690944 | M10 x 120 | 14 x 75 | 139 | 20 | 2,78 | 120 | 6 | - | 16,68 | 5400 | 45 | 750 | P3 |
| B-690951 | M10 x 140 | 14 x 75 | 163 | 20 | 3,26 | 100 | 5 | A1 | 16,30 | 4500 | 45 | 734 | P3 |